



## **700 Series Worm Gear Speed Reducers**

**Hollow  
Output  
Shafts Now  
Available in  
5.25" Center  
Distance  
(752 Size)**

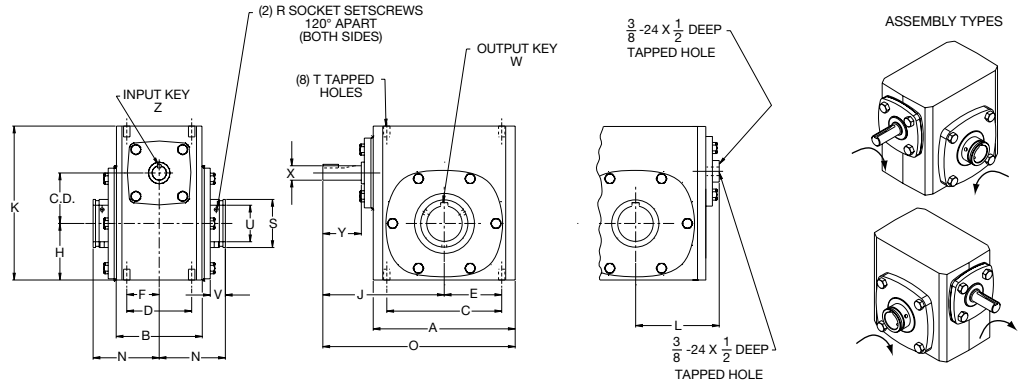




## Hollow Output Shafts Now Available in 5.25" Center Distance (752 Size)

- 6 New Bore Sizes Ranging from 2" to 3 7/16"
- Reduction of Drivetrain Components through Shaft Mounting Flexibility
- Backwards compatible with 700 Series' Industry-Standard Mounting Dimensions
- Larger Output Bearings for Greater Rigidity
- Output Torque more than Doubles as Compared with 738 Center Distance
- Good for Heavy Duty Conveyor Systems
- Good for Large Shaft Mount Applications
- Double Reduction Ratios also Available

### Projecting Input ("H" Style)

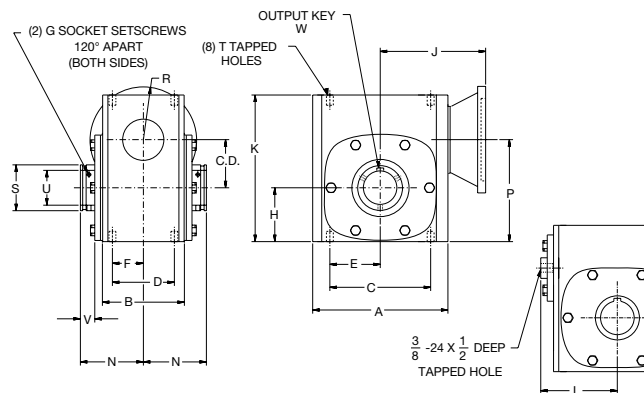


#### All Dimensions in Inches

SIZE	C.D.	A	B	C	D	R	F	H	J	K	L	N	O	R	S
752	5.16	13.13	7.38	11.0	5.81	5.50	2.91	5.31	10.69	13.75	7.19	6.12	17.25	3/1-24	4.25

SIZE	T		LOW SPEED MAX				HIGH SPEED MAX				APPROX. WEIGHT (LBS)	FAN KIT NO.
	TAP SIZE	DEPTH	MAX U + .0015 - .0000	V	W - KEY		X + .000 - .001	Y	Z - KEY			
					SQ.	LENGTH			SQ.	LENGTH		
752	5/8-11	1.00	3.4375	1.37	SEE CHART 1	SEE CHART 1	1.2495	3.25	1/4	1 1/4	198	51452

### Flange Coupling Input ("HRF" Style)



#### All Dimensions in Inches

SIZE	C.D.	A	B	C	D	E	F	G	H	J - NEMA MOUNTING 180TC, 210TC, 250TC	K	L	N
752	5.16	13.13	7.38	11.0	5.81	5.50	2.91	3/8-24	5.31	16.00	13.75	7.19	6.12

SIZE	P	R-NEMA MOUNTING 180TC, 210TC, 250TC	S	T		LOW SPEED SHAFT				APPROX. WEIGHT (LBS)	FAN KIT NO.
				TAP SIZE	DEPTH	MAX U + .0015 - .0000	V	W - KEY			
								SIZE	LENGTH		
752	10.50	4.63	4.25	5/8-11	1.00	3.4375	1.37	SEE CHART 1	SEE CHART 1	221	51457



### Ordering Information for 752 with Hollow Output Shaft

HRF	752	B	60	K	F	B9	H	1	P36
Styles	Center Distance	Base	Ratio*	Lube	Fan	Nema Mounting	Output Shaft Assy	Mounting Position	Output Bore Code
H HRF	752	(Blank) B C D E F	10 15 20 30 40 50 60	(Blank) K	(Blank) F	B11 B13	H HS	1 2 3 4 5 6	P31 P32 P35 P36 P39 P47 P55

See catalog for additional information.

\*For Double Reduction Ratios from 100:1 to 3000:1, please refer to catalog.

### Hollow Output Shaft Bore Codes (Chart 1)

Fraction	Output Bore Code	Decimal Size	Key Size
1 15/16	P31	1.9375	12 x 3/8 x 2"
2	P32	2.0000	1/2 x 3/8 x 2"
2 3/16	P35	2.1875	1/2 x 3/8 x 2"
2 1/4	P36	2.2500	1/2 x 3/8 x 2"
2 7/16	P39	2.4375	5/8 x 1/2 x 2 1/12"
2 15/16	P47	2.9375	3/4 x 9/16 x 3
3 7/16	P55	3.4375	7/8 x 5/8 x 3



### Selection Tables for 752 with Hollow Output Shaft

Ratios*	Input RPM	Output RPM	752			752F		
			HP In	HP Out	Torque (lbf-in)	HP In	HP Out	Torque (lbf-in)
10	1750	175	17.31	16.27	5860	21.63	19.94	7128
	1150	115	12.27	11.31	6200	14.25	13.14	7200
	690	69	9.58	8.54	7800	10.55	9.41	8600
	100	10	1.93	1.67	10500	1.93	1.67	10500
15	1750	116.7	13.06	12.25	6618	16.32	14.49	7829
	1150	77.7	9.14	8.15	6700	10.5	9.37	7700
	690	46	7.19	6.42	8800	7.74	6.92	9475
	100	6.7	1.56	1.26	11900	1.56	1.26	11900
20	1750	87.5	10.19	9.49	6830	12.74	11.21	8075
	1150	57.5	7.57	6.66	7300	8.7	7.66	4325
	690	34.5	5.59	4.93	9000	5.97	5.25	4900
	100	5	1.18	0.92	11585	1.18	0.92	5800
30	1750	58.3	7.3	6.45	6964	9.12	7.72	8336
	1150	38.3	5.5	4.68	7700	6.29	5.34	8800
	690	23	4.03	3.43	9400	4.38	3.72	10200
	100	3.3	0.93	0.64	12250	0.93	0.64	12250
40	1750	43.8	5.6	4.78	6889	7.0	5.68	8178
	1150	28.8	4.06	3.33	7300	4.68	3.84	8400
	690	17.3	3.01	2.66	9000	3.21	2.62	9600
	100	2.5	0.71	0.46	11585	0.71	0.46	11585
50	1750	35	4.49	3.75	6751	5.61	4.26	7678
	1150	23	3.34	2.48	6800	3.93	2.92	8000
	690	13.8	2.32	1.77	8100	2.52	1.93	8800
	100	2	0.46	0.28	9000	0.46	0.28	9000
60	1750	29.2	3.67	2.97	6416	4.59	3.22	6953
	1150	19.2	2.89	2.04	6700	3.33	2.34	7700
	690	11.5	2.07	1.46	8000	2.25	1.59	8700
	100	1.7	0.43	0.24	9000	0.43	0.24	9000

\*For Double Reduction Ratios from 100:1 to 3000:1, please refer to catalog.

## Boston Gear Facilities

### North America

#### USA

701 Carrier Drive  
Charlotte, NC 28216 - USA  
704-588-5610

*Enclosed and Open Gearing,  
Electrical and Mechanical  
P.T. Components*

#### Customer Service

1-800-825-6544

#### Application Support

1-800-816-5608

## The Brands of Altra Motion

### Couplings

**Ameridrives**  
[www.ameridrives.com](http://www.ameridrives.com)

**Bibby Turboflex**  
[www.bibbyturboflex.com](http://www.bibbyturboflex.com)

**Guardian Couplings**  
[www.guardiancouplings.com](http://www.guardiancouplings.com)

**Huco**  
[www.huco.com](http://www.huco.com)

**Lamiflex Couplings**  
[www.lamiflexcouplings.com](http://www.lamiflexcouplings.com)

**Stromag**  
[www.stromag.com](http://www.stromag.com)

**TB Wood's**  
[www.tbwoods.com](http://www.tbwoods.com)

### Linear Systems

**Thomson**  
[www.thomsonlinear.com](http://www.thomsonlinear.com)

**Warner Linear**  
[www.warnerlinear.com](http://www.warnerlinear.com)

### Geared Cam Limit Switches

**Stromag**  
[www.stromag.com](http://www.stromag.com)

### Engineered Bearing Assemblies

**Kilian**  
[www.kilianbearings.com](http://www.kilianbearings.com)

### Electric Clutches & Brakes

**Matrix**  
[www.matrix-international.com](http://www.matrix-international.com)

**Stromag**  
[www.stromag.com](http://www.stromag.com)

**Warner Electric**  
[www.warnerelectric.com](http://www.warnerelectric.com)

**Deltran**  
[www.thomsonlinear.com](http://www.thomsonlinear.com)

### Belted Drives

**TB Wood's**  
[www.tbwoods.com](http://www.tbwoods.com)

### Heavy Duty Clutches & Brakes

**Twiflex**  
[www.twiflex.com](http://www.twiflex.com)

**Stromag**  
[www.stromag.com](http://www.stromag.com)

**Svendborg Brakes**  
[www.svendborg-brakes.com](http://www.svendborg-brakes.com)

**Wichita Clutch**  
[www.wichitaclutch.com](http://www.wichitaclutch.com)

### Gearing & Specialty Components

**Bauer Gear Motor**  
[www.bauergears.com](http://www.bauergears.com)

**Boston Gear**  
[www.bostongear.com](http://www.bostongear.com)

**Delevan**  
[www.delevan.com](http://www.delevan.com)

**Delroyd Worm Gear**  
[www.delroyd.com](http://www.delroyd.com)

**Nuttall Gear**  
[www.nuttallgear.com](http://www.nuttallgear.com)

### Engine Braking Systems

**Jacobs Vehicle Systems**  
[www.jacobsvehiclesystems.com](http://www.jacobsvehiclesystems.com)

### Precision Motors & Automation

**Kollmorgen**  
[www.kollmorgen.com](http://www.kollmorgen.com)

### Miniature Motors

**Portescap**  
[www.portescap.com](http://www.portescap.com)

### Overrunning Clutches

**Formsprag Clutch**  
[www.formsprag.com](http://www.formsprag.com)

**Marland Clutch**  
[www.marland.com](http://www.marland.com)

**Stieber**  
[www.stieberclutch.com](http://www.stieberclutch.com)

Neither the accuracy nor completeness of the information contained in this publication is guaranteed by the company and may be subject to change in its sole discretion. The operating and performance characteristics of these products may vary depending on the application, installation, operating conditions and environmental factors. The company's terms and conditions of sale can be viewed at <http://www.altramotion.com/terms-and-conditions/sales-terms-and-conditions>. These terms and conditions apply to any person who may buy, acquire or use a product referred to herein, including any person who buys from a licensed distributor of these branded products.

©2019 by Boston Gear LLC. All rights reserved. All trademarks in this publication are the sole and exclusive property of Boston Gear LLC or one of its affiliated companies.