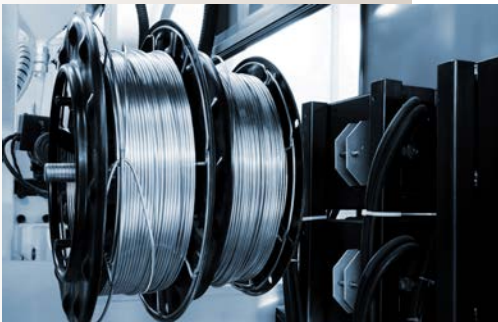


I N T R O D U C I N G

Series 2000 Inline Helical Gear Drives and Gear Motors



Efficient Torque Transmission

- Premium Efficiency of Ground Helical Gearing
- Increased Tooth Contact Area for High Torque Transmissions

Industry Leading Performance

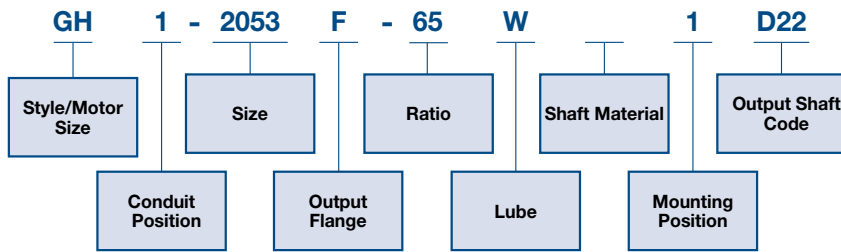
- Gear Drives Capable of 39,000 in-lb (4400 Nm)
- Integral Gear Motors to 15 HP (11 Kw)
- Large Output Shaft Diameters for Rugged Performance

Unique Value-Added Features

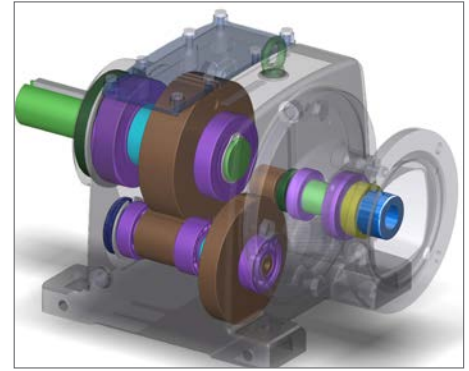
- Mounting Registers Speed-up Installation
- Automatic Entrapment of Metallic Wear Debris Prolongs Product Life
- Front Mounting Face Offers Mounting Flexibility

Gear Motor - Ordering Information

EXAMPLE: GH1-2053F-65W 1 D22



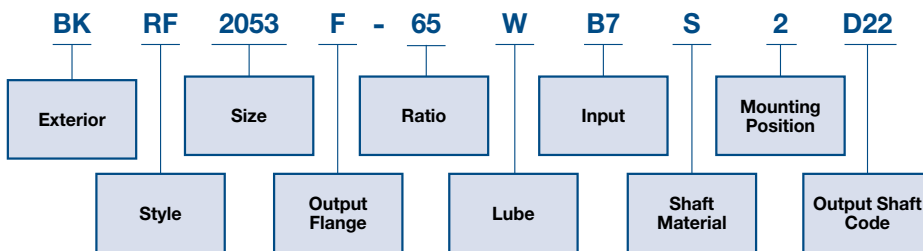
Refer to product catalog (P-7414-BG) for full ordering details.



Energy Efficient Design

Gear Drive - Ordering Information

EXAMPLE: BKRF2053F-65WB7S2D22



Refer to product catalog (P-7414-BG) for full ordering details.

Performance (Service Factor = 1.0)

Nominal OP Speed	Max Input Power (HP)															
	0.33	0.5	0.75	1	1.5	2	3	5	7.5	10	15	20	25	30	40	50+
500									2032							
400									2032		2052					
300								2032		2052		2072			2082	2102
250								2032		2052		2072			2082	2102
210								2032		2052	2072				2082	2102
180							2032			2052	2072				2082	2102
150							2032		2052		2072					2102
120							2032		2052	2072		2082				2102
90							2032		2052	2072	2082					2102
80							2032		2052	2072	2082					2102
70							2032	2052		2073		2082				2102
60					2032			2053		2073	2082				2102	
50					2033			2053	2073		2082				2103	
45				2033				2053	2073		2083					
40				2033				2053	2073	2083			2103			
35				2033				2053	2073		2083		2103			
32				2033				2053	2073		2083		2103			
29			2033					2053	2073	2083			2103			
25			2033					2053	2073	2083			2103			
22		2033						2053	2073		2083					
17		2033		2053				2073	2083			2103				
14	2033			2053				2073	2083			2103				
12			2053					2073	2083			2103				
10		2053		2073				2083		2103						
9		2053		2073				2083		2103						
8						2083				2103						
7						2083				2103						

Refer to product catalog (P-7414-BG) for full dimensional and performance details.