



# Mixer Drive Units

## Worm Gear Mixer Drives



**ORDER-TO-DELIVERY  
IN 3 WEEKS!**



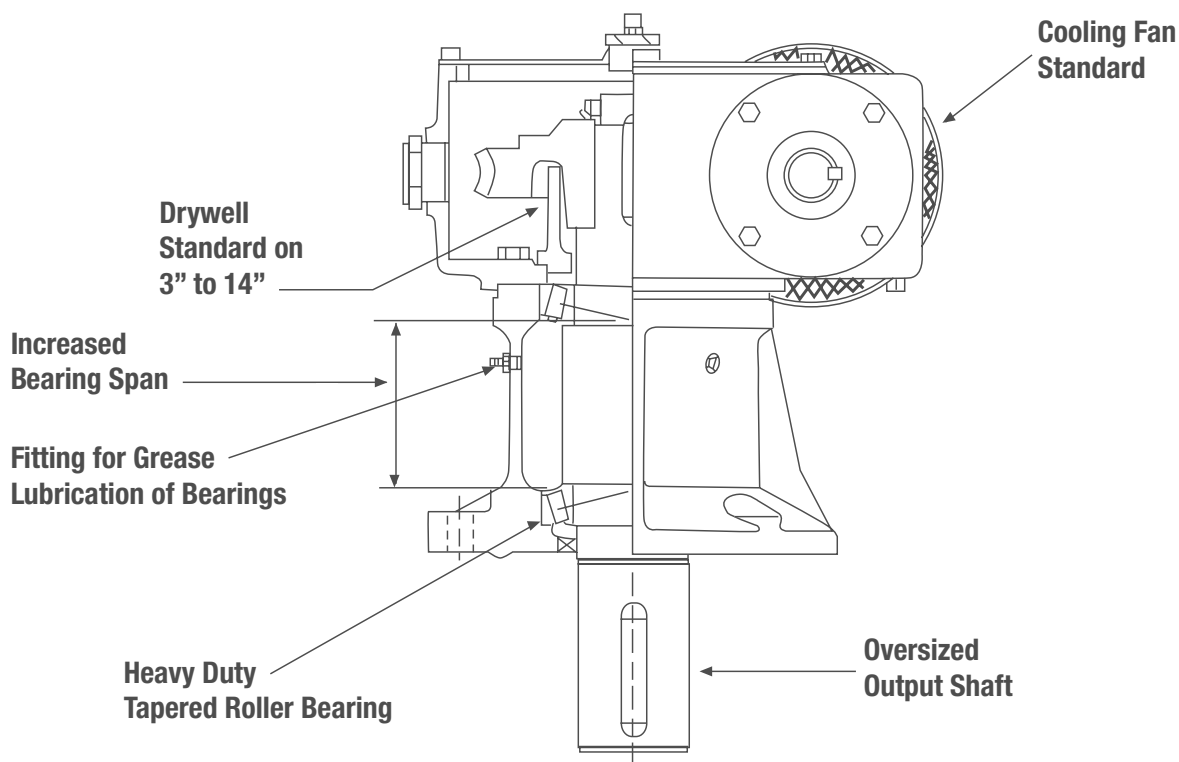
## WORM GEAR MIXERS DRIVES

### Reliable Power Transmission for Mixers / Agitators

Fluid mixing is often a very complex process. While the properties of the materials to be mixed, as well as the mixing vessel and agitator are very important considerations, the type of drive can greatly affect mixing costs - both operating and initial investment. For a wide variety of materials in chemical, process, pollution control and many other applications, Delroyd Worm gear drives for mixers and agitators offer many advantages over the other types of gearing and drive units.

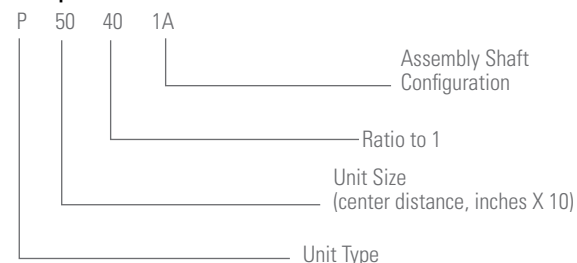
**Call our Toll-Free Application Hotline: 800-432-0121**

### DESIGN FEATURES AND INTERNAL CONSTRUCTION



### Mixer Drive Nomenclature

Example:



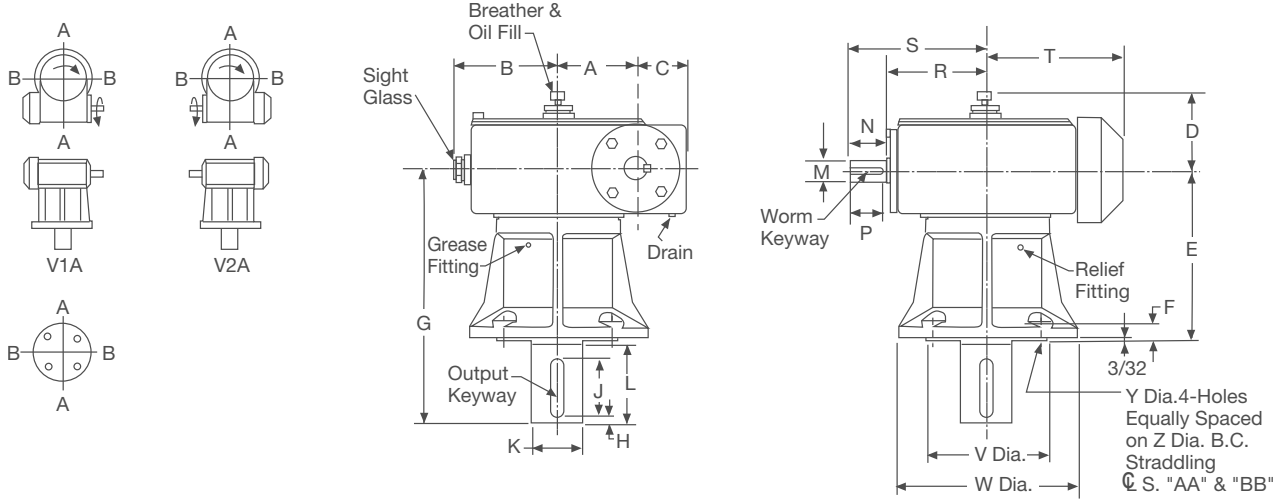
### Delroyd Mixer Unit Types Available

Options	Single Reduction	Double-Reduction Helical-Worm	Double-Reduction Worm-Worm
Standard Shaft	P	HP	DP*
Tapered Output Shaft	PT	HPT *	DPT*
Scoop for Foot - Mounted Motor	PK*	HPK*	DPK*
Adaptor for "C" - Mounted Motor	PM*	HPM*	DPM*

\*Available but not included in dimensional sheets.  
Note: If high overhung load capacity is needed, request information on Delroyd VFF and HVFF Series units.



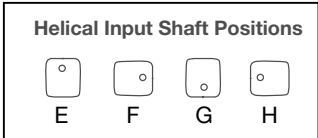
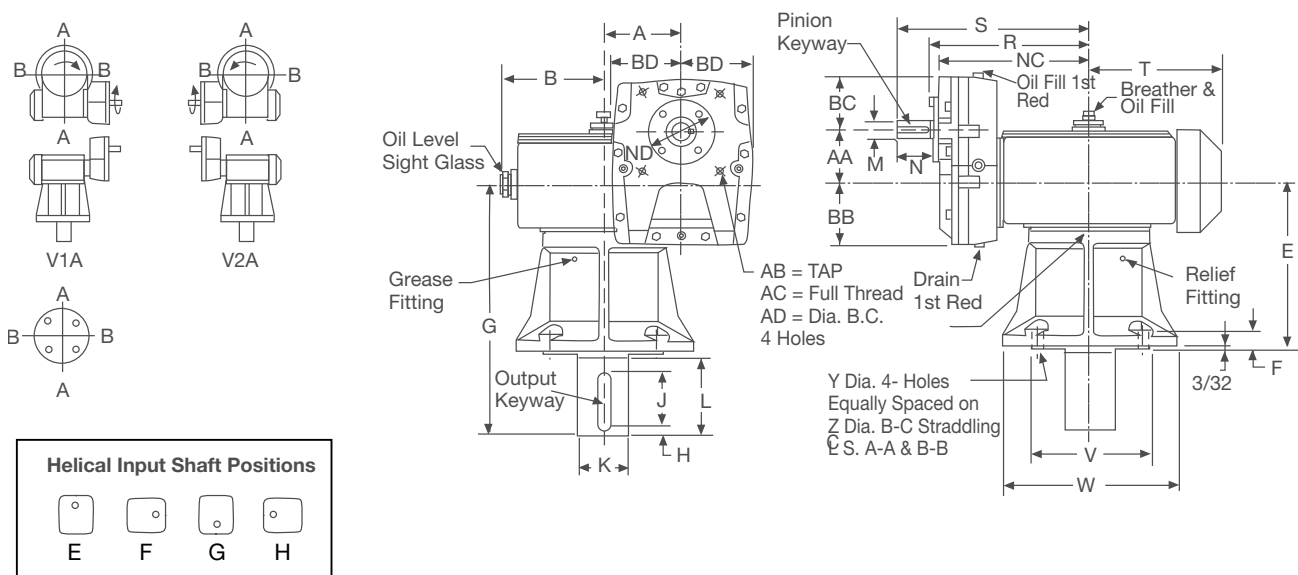
## P30 - P40 - P50 - P60



Unit Size	Reducer Wt.	A	B	C	D	E	F	G	H	J	Output Keyway	K▲	L	M▲	N	P	Worm Keyway	R	S	T	U	V■	W	Y	Z Dia. B.C.
P30	110	3	4 <sup>3</sup> / <sub>8</sub>	2 <sup>5</sup> / <sub>16</sub>	3 <sup>9</sup> / <sub>16</sub>	9	5 <sup>5</sup> / <sub>8</sub>	13 <sup>1</sup> / <sub>2</sub>	1 <sup>1</sup> / <sub>4</sub>	3	1 <sup>1</sup> / <sub>2</sub> wide x 3 <sup>3</sup> / <sub>16</sub> deep	1 <sup>15</sup> / <sub>16</sub>	4 <sup>1</sup> / <sub>4</sub>	7 <sup>7</sup> / <sub>8</sub>	1 <sup>7</sup> / <sub>8</sub>	1 <sup>13</sup> / <sub>16</sub>	3 <sup>3</sup> / <sub>16</sub> wide x 3 <sup>3</sup> / <sub>32</sub> deep	4 <sup>3</sup> / <sub>16</sub>	6 <sup>1</sup> / <sub>8</sub>	5 <sup>5</sup> / <sub>16</sub>	3 <sup>1</sup> / <sub>16</sub>	7.749	11 <sup>1</sup> / <sub>2</sub>	1 <sup>11</sup> / <sub>16</sub>	9 <sup>3</sup> / <sub>4</sub>
P40	170	4	5 <sup>1</sup> / <sub>2</sub>	2 <sup>7</sup> / <sub>8</sub>	3 <sup>7</sup> / <sub>8</sub>	9 <sup>3</sup> / <sub>4</sub>	1	15 <sup>1</sup> / <sub>4</sub>	3 <sup>3</sup> / <sub>4</sub>	3 <sup>3</sup> / <sub>4</sub>	3 <sup>3</sup> / <sub>4</sub> wide x 1 <sup>1</sup> / <sub>4</sub> deep	2 <sup>7</sup> / <sub>8</sub>	5 <sup>1</sup> / <sub>4</sub>	1 <sup>1</sup> / <sub>2</sub>	2 <sup>1</sup> / <sub>16</sub>	2	1 <sup>1</sup> / <sub>4</sub> wide x 1 <sup>1</sup> / <sub>8</sub> deep	5 <sup>11</sup> / <sub>16</sub>	7 <sup>3</sup> / <sub>4</sub>	7 <sup>3</sup> / <sub>4</sub>	3 <sup>3</sup> / <sub>16</sub>	7.749	11 <sup>1</sup> / <sub>2</sub>	1 <sup>11</sup> / <sub>16</sub>	9 <sup>3</sup> / <sub>4</sub>
P50	225	5	6 <sup>1</sup> / <sub>2</sub>	3 <sup>3</sup> / <sub>4</sub>	4 <sup>9</sup> / <sub>16</sub>	10 <sup>3</sup> / <sub>4</sub>	1 <sup>1</sup> / <sub>8</sub>	16 <sup>1</sup> / <sub>4</sub>	3 <sup>3</sup> / <sub>4</sub>	3 <sup>3</sup> / <sub>4</sub>	3 <sup>3</sup> / <sub>4</sub> wide x 1 <sup>1</sup> / <sub>4</sub> deep	3 <sup>3</sup> / <sub>8</sub>	5 <sup>1</sup> / <sub>4</sub>	1 <sup>3</sup> / <sub>8</sub>	2 <sup>5</sup> / <sub>16</sub>	2 <sup>1</sup> / <sub>4</sub>	5 <sup>5</sup> / <sub>16</sub> wide x 5 <sup>5</sup> / <sub>32</sub> deep	6 <sup>1</sup> / <sub>16</sub>	8 <sup>3</sup> / <sub>4</sub>	8 <sup>3</sup> / <sub>4</sub>	4 <sup>7</sup> / <sub>16</sub>	7.749	11 <sup>1</sup> / <sub>2</sub>	1 <sup>11</sup> / <sub>16</sub>	9 <sup>3</sup> / <sub>4</sub>
P60	350	6	7 <sup>3</sup> / <sub>4</sub>	3 <sup>7</sup> / <sub>8</sub>	4 <sup>13</sup> / <sub>16</sub>	11 <sup>3</sup> / <sub>4</sub>	1 <sup>1</sup> / <sub>4</sub>	17 <sup>1</sup> / <sub>2</sub>	3 <sup>3</sup> / <sub>4</sub>	3 <sup>3</sup> / <sub>4</sub>	7 <sup>7</sup> / <sub>8</sub> wide x 5 <sup>5</sup> / <sub>16</sub> deep	3 <sup>1</sup> / <sub>2</sub>	5 <sup>1</sup> / <sub>2</sub>	1 <sup>1</sup> / <sub>2</sub>	2 <sup>11</sup> / <sub>16</sub>	2 <sup>5</sup> / <sub>8</sub>	3 <sup>3</sup> / <sub>8</sub> wide x 3 <sup>3</sup> / <sub>16</sub> deep	7 <sup>3</sup> / <sub>4</sub>	10 <sup>1</sup> / <sub>4</sub>	10 <sup>1</sup> / <sub>16</sub>	5	7.749	11 <sup>1</sup> / <sub>2</sub>	1 <sup>11</sup> / <sub>16</sub>	9 <sup>3</sup> / <sub>4</sub>

■ Tolerances: +.000 -.002 ▲ Tolerances: 1<sup>1</sup>/<sub>2</sub> Diameter or less +.0000 -.0005 over 1<sup>1</sup>/<sub>2</sub> Diameter +.000 -.001

## HP40 - HP50 - HP60



Unit Size	Reducer Wt.	A	AA	AB	AC	AD	B	BB	BC	BD	E	F	G	H	J	Output Keyway	K▲	L	M▲	Pinion Keyway	N	NC	ND	R	S	T	V■	W	Y	Z
HP40	215	4	3	3 <sup>7</sup> / <sub>8</sub> -16	5 <sup>5</sup> / <sub>8</sub>	5 <sup>3</sup> / <sub>4</sub>	5 <sup>1</sup> / <sub>2</sub>	3 <sup>1</sup> / <sub>2</sub>	2 <sup>7</sup> / <sub>8</sub>	4	9 <sup>3</sup> / <sub>4</sub>	1	15 <sup>1</sup> / <sub>4</sub>	3 <sup>3</sup> / <sub>4</sub>	3 <sup>3</sup> / <sub>4</sub>	3 <sup>3</sup> / <sub>4</sub> wide x 1 <sup>1</sup> / <sub>4</sub> deep	2 <sup>7</sup> / <sub>8</sub>	5 <sup>1</sup> / <sub>4</sub>	7 <sup>7</sup> / <sub>8</sub>	3 <sup>1</sup> / <sub>16</sub> x 3 <sup>3</sup> / <sub>32</sub> x 1 <sup>5</sup> / <sub>16</sub>	2	9 <sup>1</sup> / <sub>16</sub>	3 <sup>5</sup> / <sub>16</sub>	9 <sup>9</sup> / <sub>16</sub>	11 <sup>9</sup> / <sub>16</sub>	7 <sup>7</sup> / <sub>4</sub>	7.749	11 <sup>1</sup> / <sub>2</sub>	1 <sup>11</sup> / <sub>16</sub>	9 <sup>3</sup> / <sub>4</sub>
HP50	325	5	3 <sup>1</sup> / <sub>2</sub>	1 <sup>1</sup> / <sub>2</sub> -13	3 <sup>3</sup> / <sub>4</sub>	7 <sup>1</sup> / <sub>4</sub>	6 <sup>1</sup> / <sub>2</sub>	4	3 <sup>1</sup> / <sub>2</sub>	4 <sup>5</sup> / <sub>8</sub>	10 <sup>3</sup> / <sub>4</sub>	1 <sup>1</sup> / <sub>8</sub>	16 <sup>1</sup> / <sub>4</sub>	3 <sup>3</sup> / <sub>4</sub>	3 <sup>3</sup> / <sub>4</sub>	3 <sup>3</sup> / <sub>4</sub> wide x 1 <sup>1</sup> / <sub>4</sub> deep	3 <sup>3</sup> / <sub>8</sub>	5 <sup>1</sup> / <sub>4</sub>	1 <sup>1</sup> / <sub>8</sub>	1 <sup>1</sup> / <sub>4</sub> x 1 <sup>1</sup> / <sub>8</sub> x 2 <sup>1</sup> / <sub>16</sub>	2 <sup>1</sup> / <sub>4</sub>	9 <sup>7</sup> / <sub>8</sub>	4 <sup>1</sup> / <sub>4</sub>	10 <sup>9</sup> / <sub>8</sub>	12 <sup>5</sup> / <sub>8</sub>	8 <sup>5</sup> / <sub>8</sub>	7.749	11 <sup>1</sup> / <sub>2</sub>	1 <sup>11</sup> / <sub>16</sub>	9 <sup>3</sup> / <sub>4</sub>
HP60	410	6	4	1 <sup>1</sup> / <sub>2</sub> -13	3 <sup>3</sup> / <sub>4</sub>	7 <sup>1</sup> / <sub>4</sub>	7 <sup>3</sup> / <sub>4</sub>	4 <sup>3</sup> / <sub>4</sub>	3 <sup>3</sup> / <sub>8</sub>	5 <sup>1</sup> / <sub>2</sub>	11 <sup>3</sup> / <sub>4</sub>	1 <sup>1</sup> / <sub>4</sub>	17 <sup>1</sup> / <sub>2</sub>	3 <sup>3</sup> / <sub>8</sub>	3 <sup>3</sup> / <sub>8</sub>	7 <sup>7</sup> / <sub>8</sub> wide x 5 <sup>5</sup> / <sub>16</sub> deep	3 <sup>1</sup> / <sub>2</sub>	5 <sup>1</sup> / <sub>2</sub>	1 <sup>1</sup> / <sub>4</sub>	1 <sup>1</sup> / <sub>4</sub> x 1 <sup>1</sup> / <sub>8</sub> x 2 <sup>1</sup> / <sub>16</sub>	2 <sup>1</sup> / <sub>2</sub>	11 <sup>3</sup> / <sub>4</sub>	4 <sup>1</sup> / <sub>4</sub>	12 <sup>1</sup> / <sub>4</sub>	14 <sup>3</sup> / <sub>4</sub>	10 <sup>1</sup> / <sub>16</sub>	7.749	11 <sup>1</sup> / <sub>2</sub>	1 <sup>11</sup> / <sub>16</sub>	9 <sup>3</sup> / <sub>4</sub>

■ Tolerances: +.000 -.003 ▲ Tolerances: 1<sup>1</sup>/<sub>2</sub> Diameter or less +.0000 -.0005 over 1<sup>1</sup>/<sub>2</sub> Diameter +.000 -.001

Belted Drives and Sheaves	Couplings Cont.	Gearing	Linear Products
<p><b>TB Wood's</b> <i>Belted Drives</i> Chambersburg, PA - USA <b>1-888-829-6637</b> – Press #5 <i>For application assistance:</i> 1-888-829-6637 – Press #7</p>	<p><b>TB Wood's</b> <i>Elastomeric Couplings</i> Chambersburg, PA - USA <b>1-888-829-6637</b> – Press #5 <i>For application assistance:</i> 1-888-829-6637 – Press #7 <i>General Purpose Disc Couplings</i> San Marcos, TX - USA <b>1-888-449-9439</b></p>	<p><b>Bauer Gear Motor</b> <i>Geared Motors</i> Esslingen, Germany <b>+49 (711) 3518-0</b> Middlesex, NJ - USA <b>1-732-469-8770</b></p>	<p><b>Warner Linear</b> <i>Linear Actuators</i> New Hartford, CT - USA <b>1-800-825-6544</b> <i>For application assistance:</i> 1-800-825-9050 Saint Barthélemy d'Anjou, France <b>+33 (0)2 41 21 24 24</b></p>
<p><b>Couplings</b></p>	<p><b>Electromagnetic Clutches and Brakes</b></p>	<p><b>Boston Gear</b> <i>Enclosed and Open Gearing, Electrical and Mechanical P.T. Components</i> Charlotte, NC - USA <b>1-800-825-6544</b> <i>For application assistance:</i> 1-800-816-5608</p>	<p><b>Overrunning Clutches</b></p>
<p><b>Ameridrives</b> <i>Mill Spindles, Ameriflex, Ameridisc</i> Erie, PA - USA <b>1-814-480-5000</b> <i>Gear Couplings</i> San Marcos, TX - USA <b>1-800-458-0887</b> <i>Universal Joints, Drive Shafts, Mill Gear Couplings</i> Erie, PA - USA <b>1-920-593-2444</b></p>	<p><b>Inertia Dynamics</b> <i>Spring Set Brakes; Power On and Wrap Spring Clutch/Brakes</i> New Hartford, CT - USA <b>1-800-800-6445</b></p> <p><b>Matrix</b> <i>Electromagnetic Clutches and Brakes, Pressure Operated Clutches and Brakes</i> Brechin, Scotland <b>+44 (0) 1356 602000</b> New Hartford, CT - USA <b>1-800-825-6544</b></p>	<p><b>Nuttall Gear and Delroyd Worm Gear</b> <i>Worm Gear and Helical Speed Reducers</i> Niagara Falls, NY - USA <b>1-716-298-4100</b></p>	<p><b>Formsprag Clutch</b> <i>Overrunning Clutches and Holdbacks</i> Warren, MI - USA <b>1-800-348-0881</b> – Press #1 <i>For application assistance:</i> 1-800-348-0881 – Press #2</p>
<p><b>Bibby Turboflex</b> <i>Disc, Gear, Grid Couplings, Overload Clutches</i> Dewsbury, England <b>+44 (0) 1924 460801</b> Boksburg, South Africa <b>+27(0) 11 918 4270</b></p>	<p><b>Warner Electric</b> <i>Electromagnetic Clutches and Brakes</i> New Hartford, CT - USA <b>1-800-825-6544</b> <i>For application assistance:</i> 1-800-825-9050 Saint Barthélemy d'Anjou, France <b>+33 (0)2 41 21 24 24</b> <i>Precision Electric Coils and Electromagnetic Clutches and Brakes</i> Columbia City, IN - USA <b>1-260-244-6183</b></p>	<p><b>Heavy Duty Clutches and Brakes</b></p> <p><b>Industrial Clutch</b> <i>Pneumatic and Oil Immersed Clutches and Brakes</i> Waukesha, WI - USA <b>1-262-547-3357</b></p>	<p><b>Marland Clutch</b> <i>Roller Ramp and Sprag Type Overrunning Clutches and Backstops</i> Warren, MI - USA <b>1-800-216-3515</b></p>
<p><b>Guardian Couplings</b> <i>Engineered Flywheel Couplings, Engine Housings and Pump Mounts, Flexible Shaft Couplings</i> Michigan City, IN - USA <b>1-219-874-5248</b></p>	<p><b>Engineered Bearing Assemblies</b></p> <p><b>Kilian</b> <i>Engineered Bearing Assemblies</i> Syracuse, NY - USA <b>1-315-432-0700</b></p>	<p><b>Svendborg Brakes</b> <i>Industrial Brakes and Brake Systems</i> Vejstrup, Denmark <b>+45 63 255 255</b></p>	<p><b>Stieber Clutch</b> <i>Overrunning Clutches and Holdbacks</i> Heidelberg, Germany <b>+49 (0) 6221-30470</b></p>
<p><b>Huco</b> <i>Precision Couplings and Air Motors</i> Hertford, England <b>+44 (0) 1992 501900</b> Chambersburg, PA - USA <b>1-888-829-6637</b></p>		<p><b>Twiflex</b> <i>Caliper Brakes and Thrusters</i> Wichita Falls, TX - USA <b>1-844-723-3483</b> Twickenham, England <b>+44 (0) 20 8894 1161</b></p>	<p><b>Wichita Clutch</b> <i>Pneumatic Clutches and Brakes</i> Wichita Falls, TX - USA <b>1-800-964-3262</b> Bedford, England <b>+44 (0) 1234 350311</b></p>
<p><b>Lamiflex Couplings</b> <i>Flexible Couplings, Bearing Isolators, and Coupling Guards</i> Cotia, SP - Brasil <b>+55 (11) 4615-6300</b></p>			<p><i>For information concerning our sales offices in Asia Pacific check our website <a href="http://www.altramotion.com.cn">www.altramotion.com.cn</a></i></p>



**Call Our Toll-Free Application Hotline:  
800-432-0121**

[www.delroyd.com](http://www.delroyd.com)

2221 Niagara Falls Boulevard  
Niagara Falls, NY 14304 - USA  
716-298-4100