



Model FHB

High Speed External Backstops

Designed for use on inclined conveyor and bucket elevators



Formsprag's 60+ years of backstopping experience has been used to create a new design with inner race Centrifugal Throw-out Sprags to meet your backstopping requirements for inclined conveyors or bucket elevators that are using a Falk Gear Reducer with the backstop mounted externally on the high speed or intermediate shaft.



The Model FHB is available in three sizes:

- FHB-10 Bore range is 1.13 to 1.88 inches
- FHB-20 Bore range is 1.75 to 2.25 inches
- FHB-60 Bore range is 2.25 to 3.75 inches

Metric bores available

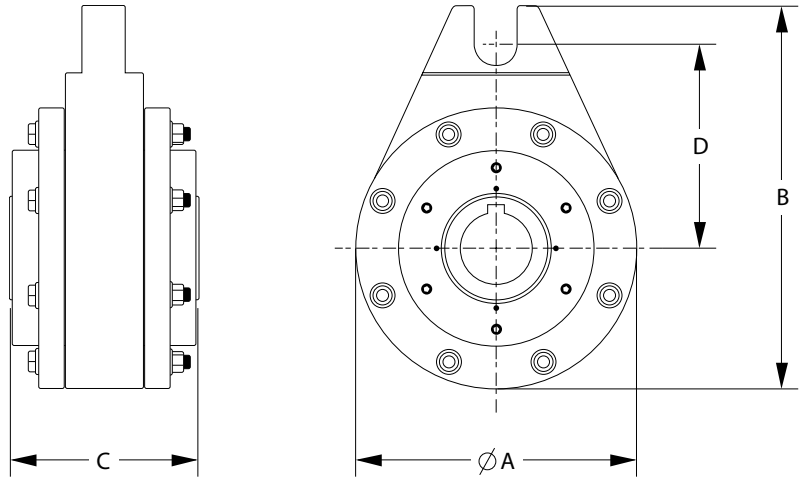
Features include:

- Superior drop in replacement for Falk® Model BIF
- No mounting modifications required to Falk gear reducer
- Higher speed range with Formsprag design
- Greater torque capacity in a smaller envelope
- Centrifugal throw-out sprags
- Bearing B-10 life of more than 100 years
- Superior no-maintenance design
- OSHA cover option
- Components stocked for shorter lead times





Formsprag Model FHB High Speed External Backstops



Formsprag FHB

Model No.	BORE (in)		A	B	C	D	SPEED (RPM)		TORQUE	
	Min	Max					Min	Max	lb.ft.	N-m
FHB-10	1.13	1.88	6.88	8.38	4.13	4.13	400	2,400	1,734	2350
FHB-20	1.75	2.25	8.23	11.26	5.50	6.00	400	2,000	1,734	2350
FHB-60	2.25	3.75	12	15.25	6.50	7.75	400	1,800	4,130	5600

Falk BIF

Model No.	BORE (in)		A	B	C	D	SPEED (RPM)		TORQUE	
	Min	Max					Min	Max	lb.ft.	N-m
10BIF	1.13	1.63	7.28	8.59	4.13	4.13	400	1,800	541	736
20BIF	1.75	2.25	10.28	12.27	5.50	6.00	400	1,800	1,155	1571
60BIF	2.25	3.75	13.03	15.78	6.50	7.75	400	1,800	3,360	4570

All trademarks, trade names, or service marks not owned by Altra Industrial Motion that appear in this brochure are the property of their respective companies or mark holders.

For Applications Assistance Call

800-927-3262