



## FH Flywheel Coupling & HH Coupling

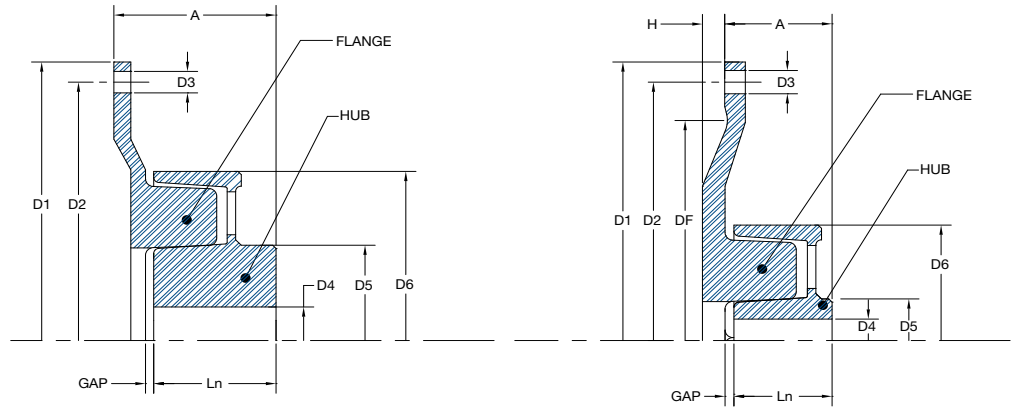


## FEATURES AND ADVANTAGES

The FH/HH coupling is considered a failsafe jaw coupling that has progressive characteristics. For instance the dynamic torsional stiffness is enhanced with increasing the coupling load. This type of feature gives a distinct advantage in applications where a wide range is used and the torque increases with speed. The resulting characteristics provide the FH/HH coupling with a relatively low torsional stiffness that places the critical speed (resonance) below the operational speed of the system.

The five standard coupling sizes cover a nominal torque range up to 88,500 in.-lbs. These couplings may be favorably used in applications such as diesel engine-generator sets, welding sets, blowers, compressors, and centrifugal pumps.

The FH/HH coupling hubs and flanges are produced from a high strength cast iron. The rubber is manufactured from NBR which is resistant to oil and abrasion. It is available in three different hardness levels 50, 60, and 75 shore A. These couplings can operate in a temperature range of -15°F to 195°F.



### Technical Data

Coupling Size	Hardness Shore A	Nominal Torque TKN in.-lbs	Maximum Torque TKM in.-lbs	Max. Vibratory Torque TKV in.-lbs	Dampening Factor	Amplification at Resonance	Torsional Stiffness (in.-lbs / Radian x 1000)				Max. Rotational Speed
							25% TKN	50% TKN	75% TKN	100% TKN	
6	50	2,478	8,850	1,239	1.15	5.5	19.47	31.86	48.68	72.57	5900
	60	3,540	12,390	1,770	1.25	5.0	28.32	38.94	53.98	75.23	
	75	5,310	15,930	2,655	1.35	4.7	65.49	77.00	112.40	169.92	
12	50	4,965	17,700	2,478	1.15	5.5	60.18	115.94	174.35	235.41	4800
	60	7,080	24,780	3,540	1.25	5.0	90.27	140.72	202.67	284.10	
	75	10,620	31,860	5,310	1.35	4.7	181.43	259.31	392.94	580.56	
25	50	11,063	33,188	5,532	1.15	5.5	209.75	256.65	431.88	561.09	4300
	60	14,160	49,560	7,080	1.25	5.0	266.39	376.13	516.84	689.42	
	75	22,125	66,375	11,063	1.35	4.7	575.25	770.84	1,111.56	1,600.08	
50	50	22,125	66,375	11,063	1.15	5.5	325.68	502.68	681.45	862.00	3400
	60	28,320	99,120	14,160	1.25	5.0	560.21	697.38	855.80	1,035.45	
	75	44,250	132,750	22,125	1.35	4.7	1,159.35	1,431.00	1,705.40	1,979.75	
6	50	44,250	177,000	22,125	1.15	5.5	769.95	1,075.28	1,398.30	1,750.53	2700
	60	56,640	198,240	28,320	1.25	5.0	1,173.51	1,558.49	2,003.64	2,508.09	
	75	88,500	265,500	44,250	1.35	4.7	2,492.16	3,292.20	4,109.00	4,944.50	

### SAE Flange Dimensions

SAE Flywheel Size	D1 Outer Diameter		D2 Bolt Circle		# of Holes	D3 Hole Size	
	in.	mm	in.	mm		in.	mm
6.5	8.500	215.9	7.875	200.0	6 x 60°	.354	9
7.5	9.500	241.3	8.750	222.3	8 x 45°	.354	9
8	10.375	263.5	9.625	244.5	6 x 60°	.433	11
10	12.375	314.3	11.625	295.3	8 x 45°	.433	11
11.5	13.875	352.4	13.125	333.4	8 x 45°	.433	11
14	18.375	466.7	17.250	438.2	8 x 45°	.512	13
18	22.500	571.5	21.375	542.9	6 x 60°	.670	17

**SAE Flange Dimensions** *Continued*

FH Size	SAE Flywheel Size	Design	A	Ln.	D4 Min.	D4 Max.	D5	D6	Gap	DF	H	Weight	Flange Inertia	Hub Inertia
			in.	in.	in.	in.	in.	in.	in.	in.	in.	in.	#	In-lbs Sec.2
6	8	1	2.875	2.165	-	2.362	3.543	6.300	.157	-	-	15	.241	.086
	8	1	4.331	3.622	-	2.362	3.543	6.300	.157	-	-	19	.241	.100
	10	1	2.875	2.165	-	2.362	3.543	6.300	.157	-	-	18	.498	.803
	10	1	4.331	3.622	-	2.362	3.543	6.300	.157	-	-	22	.498	.100
	11.5	2	2.323	2.165	-	2.362	3.543	6.300	.157	11.811	.394	21	.815	.803
	11.5	2	3.780	3.622	-	2.362	3.543	6.300	.157	11.811	.394	25	.815	.100
12	10	1	3.819	3.228	-	2.953	4.528	7.795	.157	8.858	.236	30	.576	.292
	10	1	4.764	4.173	-	2.953	4.528	7.795	.157	8.858	.236	34	.576	.318
	11.5	1	4.213	3.228	-	2.593	4.528	7.795	.157	-	-	32	.824	.292
	11.5	1	5.157	4.173	-	2.593	4.528	7.795	.157	-	-	36	.824	.318
	14	2	3.661	3.228	-	2.593	4.528	7.795	.157	13.583	.236	41	2.370	.292
	14	2	4.606	4.173	-	2.593	4.528	7.795	.157	13.583	.236	45	2.370	.318
25	11.5	1	4.213	3.228	-	3.150	4.882	8.661	.157	-	-	39	.936	.508
	11.5	1	5.787	4.803	-	3.150	4.882	8.661	.157	-	-	46	.936	.567
	14	2	3.661	3.228	-	3.150	4.882	8.661	.157	13.583	.236	47	2.482	.508
	14	2	5.236	4.803	-	3.150	4.882	8.661	.157	13.583	.236	55	2.482	.567
50	11.5	1	4.213	3.228	-	3.740	5.709	10.827	.157	-	-	54	1.189	1.292
	11.5	1	6.575	5.591	-	3.740	5.709	10.827	.157	-	-	70	1.189	1.458
	14	2	3.661	3.228	-	3.740	5.709	10.827	.157	13.583	.236	63	2.735	1.292
	14	2	6.024	5.591	-	3.740	5.709	10.827	.157	13.583	.236	79	2.735	1.458
100	14	2	3.661	3.543	2.559	4.724	7.560	13.780	.157	15.591	.591	107	4.129	4.460
	14	2	6.024	5.906	2.559	4.724	7.560	13.780	.157	15.591	.591	132	4.129	4.968
	18	1	4.724	3.543	2.559	4.724	7.560	13.780	.157	-	-	121	7.921	4.460
	18	1	7.087	5.906	2.559	4.724	7.560	13.780	.157	-	-	146	7.921	4.968

**HOW TO ORDER**

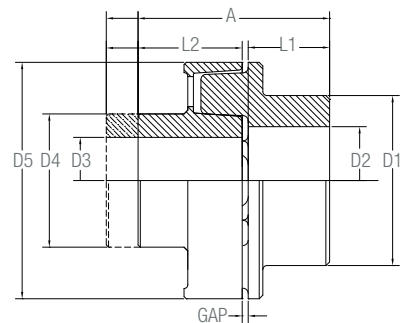
Coupling Size	Rubber Hardness	Flange Ø	OAL Required	Finished Bore
25	60	14	3.661	2.250

**Coupling Dimensions**

HH SIZE	TKN in-lbs	TKM in-lbs	Max RPM	A	L1	L2	Gap	D1	D2 Min	D2 Max.	D3 Min	D3 Max.	D4	D5	Weight
				in.	in.	in.	in.	in.	in.	in.	in.	in.	in.	in.	in.
6	5,310	15,930	5,900	4.48	2.17	2.17	.16	4.53	-	2.95	-	2.36	3.54	6.30	20
				5.94											3.62
12	10,620	31,860	4,800	5.94	2.56	3.23	.16	5.12	-	3.35	-	2.95	4.53	7.80	38
				6.89											4.17
25	22,125	66,375	4,300	6.54	3.15	3.23	.16	6.10	-	3.94	-	3.15	4.88	8.66	56
				8.11											4.80
50	44,250	132,750	3,400	7.13	3.74	3.23	.16	7.28	-	4.72	-	3.74	5.71	10.83	92
				9.49											5.59
100	88,500	265,500	2,700	8.43	4.72	3.54	.16	8.66	2.56	5.51	2.56	4.72	7.56	13.78	165
				10.79											5.91

**HH COUPLING**

The Guardex HH design is a shaft to shaft version of the FH flywheel design. The HH is an elastic, torsionally soft jaw style coupling in compression, with a nominal torque rating to 88,500 in-lbs. These couplings are best suited for the absorption of shock loading, and consist of (2) cast iron hubs and variable durometer rubber elements.



Torsional Angle		Angular Displacement	
3° - 5°		1°	
Axial Displacement		Radial Displacement	
.118" Max.		.040"	

## Guardian Couplings Facilities

### North America

300 Indiana Highway 212  
Michigan City, IN 46360  
219-874-5248

*Engineered Flywheel Couplings, Engine Housings and Pump Mounts, Flexible Shaft Couplings*

### Europe

Merchant Drive, Hertford  
Hertfordshire SG13 7BL - England  
+44(0)1992 501900

*Engineered Flywheel Couplings, Engine Housings and Pump Mounts, Flexible Shaft Couplings*

## The Brands of Altra Industrial Motion

### Couplings

**Ameridrives**  
[www.ameridrives.com](http://www.ameridrives.com)

**Bibby Turboflex**  
[www.bibbyturboflex.com](http://www.bibbyturboflex.com)

**Guardian Couplings**  
[www.guardiancouplings.com](http://www.guardiancouplings.com)

**Huco**  
[www.huco.com](http://www.huco.com)

**Lamiflex Couplings**  
[www.lamiflexcouplings.com](http://www.lamiflexcouplings.com)

**Stromag**  
[www.stromag.com](http://www.stromag.com)

**TB Wood's**  
[www.tbwoods.com](http://www.tbwoods.com)

### Geared Cam Limit Switches

**Stromag**  
[www.stromag.com](http://www.stromag.com)

### Electric Clutches & Brakes

**Inertia Dynamics**  
[www.idicb.com](http://www.idicb.com)

**Matrix**  
[www.matrix-international.com](http://www.matrix-international.com)

**Stromag**  
[www.stromag.com](http://www.stromag.com)

**Warner Electric**  
[www.warnerelectric.com](http://www.warnerelectric.com)

### Linear Products

**Warner Linear**  
[www.warnerlinear.com](http://www.warnerlinear.com)

### Engineered Bearing Assemblies

**Kilian**  
[www.kilianbearings.com](http://www.kilianbearings.com)

### Heavy Duty Clutches & Brakes

**Industrial Clutch**  
[www.indclutch.com](http://www.indclutch.com)

**Twiflex**  
[www.twiflex.com](http://www.twiflex.com)

**Stromag**  
[www.stromag.com](http://www.stromag.com)

**Svendborg Brakes**  
[www.svendborg-brakes.com](http://www.svendborg-brakes.com)

**Wichita Clutch**  
[www.wichitacutch.com](http://www.wichitacutch.com)

### Belted Drives

**TB Wood's**  
[www.tbwoods.com](http://www.tbwoods.com)

### Gearing

**Bauer Gear Motor**  
[www.bauergears.com](http://www.bauergears.com)

**Boston Gear**  
[www.bostongear.com](http://www.bostongear.com)

**Delroyd Worm Gear**  
[www.delroyd.com](http://www.delroyd.com)

**Nuttall Gear**  
[www.nuttallgear.com](http://www.nuttallgear.com)

### Overrunning Clutches

**Formsprag Clutch**  
[www.formsprag.com](http://www.formsprag.com)

**Marland Clutch**  
[www.marland.com](http://www.marland.com)

**Stieber**  
[www.stieberclutch.com](http://www.stieberclutch.com)

Neither the accuracy nor completeness of the information contained in this publication is guaranteed by the company and may be subject to change in its sole discretion. The operating and performance characteristics of these products may vary depending on the application, installation, operating conditions and environmental factors. The company's terms and conditions of sale can be viewed at <http://www.altramotion.com/terms-and-conditions/sales-terms-and-conditions>. These terms and conditions apply to any person who may buy, acquire or use a product referred to herein, including any person who buys from a licensed distributor of these branded products.

©2018 by Guardian Couplings LLC. All rights reserved. All trademarks in this publication are the sole and exclusive property of Guardian Couplings LLC or one of its affiliated companies.