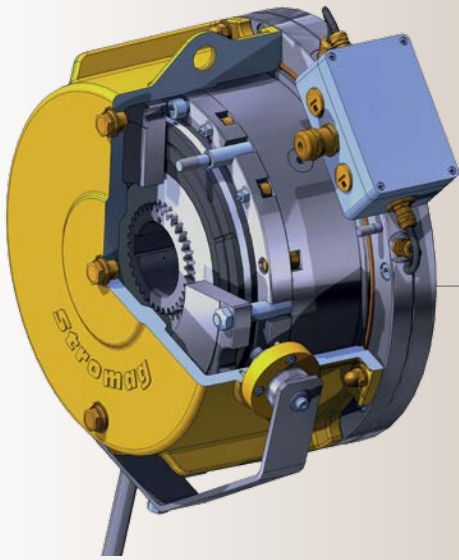


Clutches and Brakes

HPI Brakes

for Industrial and Crane Applications



Electromagnetic Double-Face Spring-Applied Brake with a very high protection against harsh environment

The HPI brake type is designed for industrial and crane applications with a very high protection against harsh environment.

With a compact design and a high wear-resistance the brake assures a high durability.

Benefits include

- Brake torque range 100 – 1600 Nm
- Protection up to IP 67
- All components with special surface protection
- Simple assembly, highly serviceable, fully functional without cover
- Positive feel hand release mechanism
- Connecting flanges to IEC Standards
- Sealed inspection holes to monitor the air gap
- Robust, reliable design with very low inertia
- Excellent heat dissipation
- Wide range of options like manual release, terminal box, standstill heater, microswitches, preparation for tachometer mounting
- Rectifiers and high-power quick switching units optimise the switching comfort

MAIN FEATURES

Coil body with coil	Thermal class 155, nitrocarburated and postoxidated
Armature disc	Special protection: nitrocarburated and postoxidated
Brake disc	Special protection: nitrocarburated and postoxidated
Friction lining	Low wear rate with low torque fade over a high range of temperature. High thermal capacity
Flange	Standard (acc. IEC) flanges or special flanges for adaption to different motors or gearboxes
Cover	Manufactured of gray cast
Hub	Special protection: nitrocarburated and postoxidated
Flying Leads	1,5 metre long, radial or axial
Seals	For high protection

www.stromag.com

Hansastraße 120
59425 Unna - Germany
Phone: +49 2303 102-0
Fax: +49-2303 102-201

Dessauer Str. 10
06844 Dessau-Roßlau - Germany
Phone: +49 340 2190 0
Fax: +49 340 2190 201