

Gen 2 Enclosed Module Option With Cover Plate For Brake Only

Installation & Operating Instructions

P-273-7-WE
819-0541



 **Warner**[®]
Electric

An **Altra Industrial Motion** Company

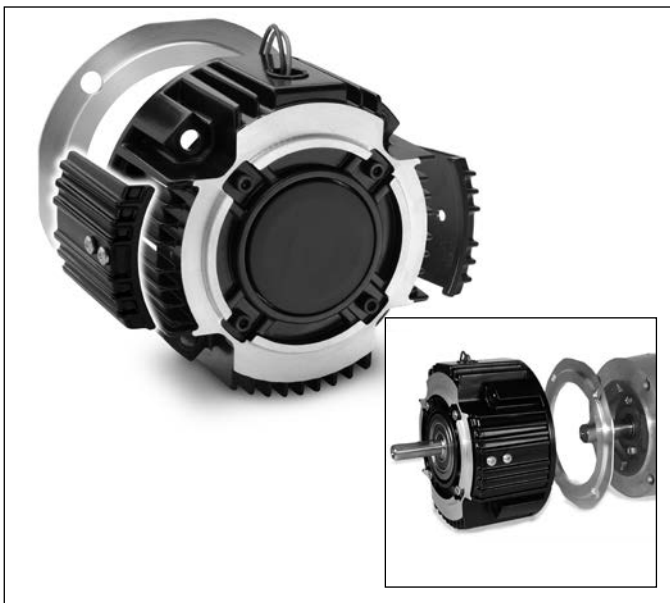


Scan to Watch
Cover Kits Video
<https://p.widencdn.net/dg6idh>

Vented Warner Electric Modules and base assemblies can be oriented as necessary to keep contaminant's from entering the open housing vents.

If an Enclosed Module is required, an optional Cover Kit (Warner Electric part number 5370-101-082), can be purchased separately to enclose the open vents in the housing.

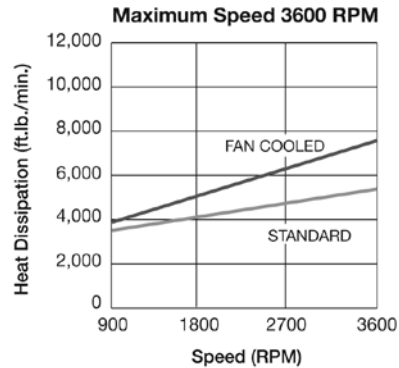
Each cover kit includes two (2) vent covers, two (2) gaskets, four (4) screws and a cover plate to enclose the open end of the brake when mounted to the back of the motor. This converts a vented Module to an enclosed design (non-washdown) as shown below



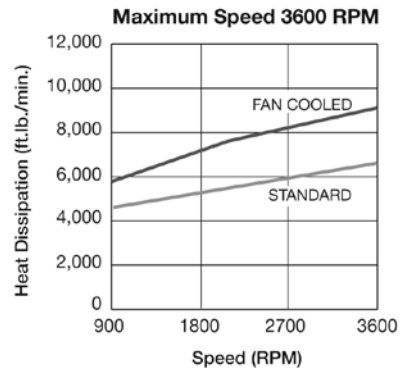
Note: When using this Cover Kit to enclose the module, the vent covers should be assembled as the final step

Dissipation Curves

EUM-50



EUM-100/180



Note: When calculating cycles per minute for Gen 2 50, 100/180 modules, use the Heat Dissipation Curves above.

Apply the adhesive backed gaskets to the vent covers as follows:

Peel away half of the gasket backing paper, past the windows and screw holes. (See Figure 1)

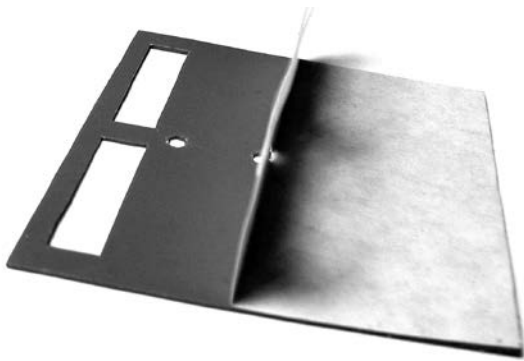


Figure 1

Starting at the screw holes and working outward, press the gasket onto the cover with the gasket window edges against the 90° bend of the cover. (See Figure 2)



Window Edges
against 90° bend

Figure 2

Using the tab between the gasket windows as a guide, center and press the window perimeters onto the front edge of the cover. (See Figure 3)

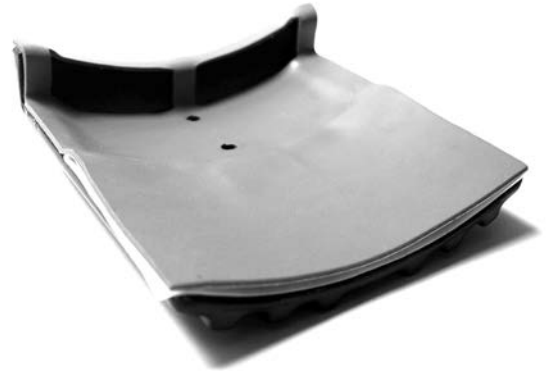


Figure 3

Peel off the remainder of the gasket backing and press the entire gasket on so it conforms to the inside of the cover. (See Figure 4)



Figure 4

Warranty

Warner Electric LLC warrants that it will repair or replace (whichever it deems advisable) any product manufactured and sold by it which proves to be defective in material or workmanship within a period of one (1) year from the date of original purchase for consumer, commercial or industrial use.

This warranty extends only to the original purchaser and is not transferable or assignable without Warner Electric LLC's prior consent.

Warranty service can be obtained in the U.S.A. by returning any defective product, transportation charges prepaid, to the appropriate Warner Electric LLC factory. Additional warranty information may be obtained by writing the Customer Satisfaction Department, Warner Electric LLC, 449 Gardner Street, South Beloit, Illinois 61080, or by calling 815-389-3771.

A purchase receipt or other proof of original purchase will be required before warranty service is rendered. If found defective under the terms of this warranty, repair or replacement will be made, without charge, together with a refund for transportation costs. If found not to be defective, you will be notified and, with your consent, the item will be repaired or replaced and returned to you at your expense.

This warranty covers normal use and does not cover damage or defect which results from alteration, accident, neglect, or improper installation, operation, or maintenance.

Some states do not allow limitation on how long an implied warranty lasts, so the above limitation may not apply to you.

Warner Electric LLC's obligation under this warranty is limited to the repair or replacement of the defective product and in no event shall Warner Electric LLC be liable for consequential, indirect, or incidental damages of any kind incurred by reason of the manufacture, sale or use of any defective product. Warner Electric LLC neither assumes nor authorizes any other person to give any other warranty or to assume any other obligation or liability on its behalf.

WITH RESPECT TO CONSUMER USE OF THE PRODUCT, ANY IMPLIED WARRANTIES WHICH THE CONSUMER MAY HAVE ARE LIMITED IN DURATION TO ONE YEAR FROM THE DATE OF ORIGINAL CONSUMER PURCHASE. WITH RESPECT TO COMMERCIAL AND INDUSTRIAL USES OF THE PRODUCT, THE FOREGOING WARRANTY IS IN LIEU OF AND EXCLUDES ALL OTHER WARRANTIES, WHETHER EXPRESSED OR IMPLIED BY OPERATION OF LAW OR OTHERWISE, INCLUDING, BUT NOT LIMITED TO, ANY IMPLIED WARRANTIES OF MERCHANTABILITY OR FITNESS.

Some states do not allow the exclusion or limitation of incidental or consequential damages, so the above limitation or exclusion may not apply to you. This warranty gives you specific legal rights and you may also have other rights which vary from state to state.

Changes in Dimensions and Specifications

All dimensions and specifications shown in Warner Electric catalogs are subject to change without notice. Weights do not include weight of boxing for shipment. Certified prints will be furnished without charge on request to Warner Electric.



www.warnerelectric.com

31 Industrial Park Road
New Hartford, CT 06057
815-389-3771
Fax: 815-389-2582

An **Altra** Industrial Motion Company

