

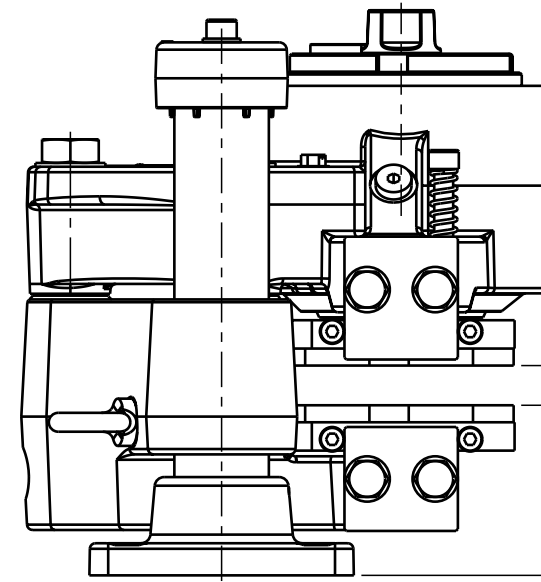
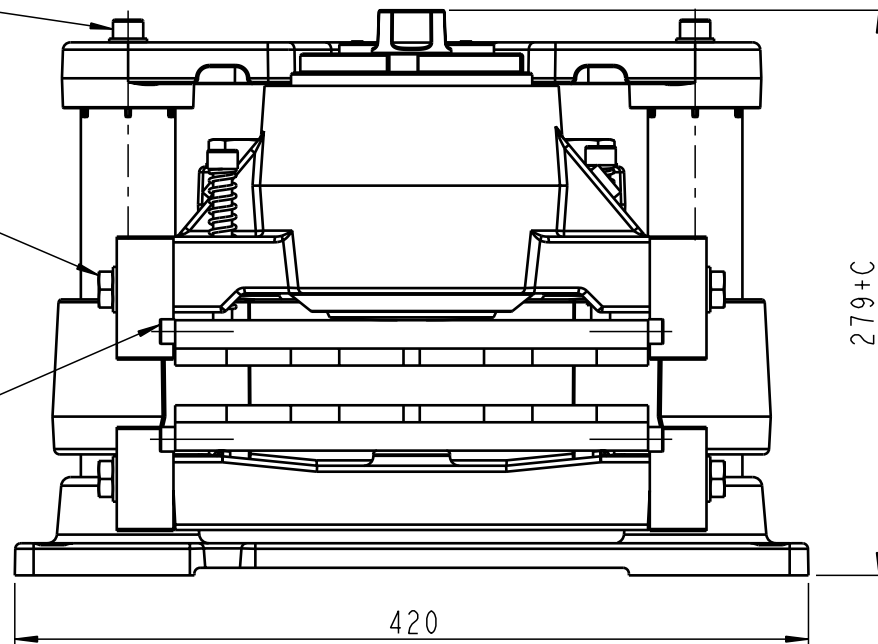
Rev.A 91662 RRH 36/00
 Rev.B 92226 ECA 02/23
 Rev.C 92810 RRH 14.03.2005

Denmark: Jernbanevej 9, 5882 Vejstrup, Denmark
 Germany: Kirchenstrasse 42, D-32257 Bünde, Germany
 This drawing / document remains the property of Svendborg Brakes A/S and must not be copied without our prior written permission, and the contents thereof must not be disclosed to any third party, nor be used for any unauthorized purpose. Legal action will be taken in the event of contravention.

Bolts M10 Grade 8.8
 Mv=44±6 Nm
 Dry

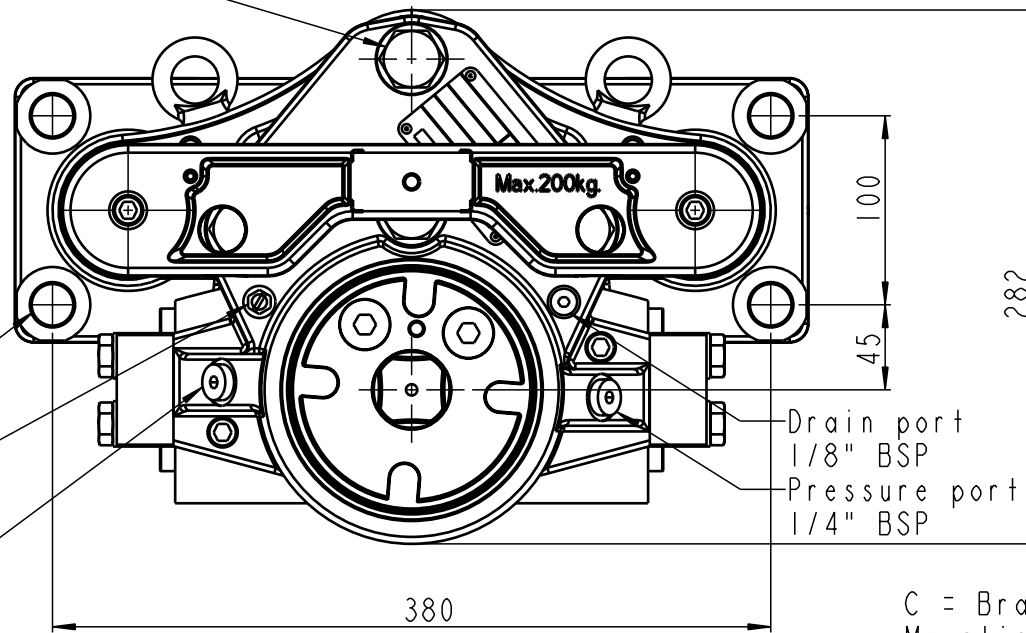
Bolts M12 Grade 10.9
 Mv=91±8 Nm
 with MoS 2

Bolts M8 Grade 8.8
 Mv=23±2Nm
 Dry



Brake disc thickness = 20-40
 Brake can move on shafts:
 10 upwards and 5 downwards

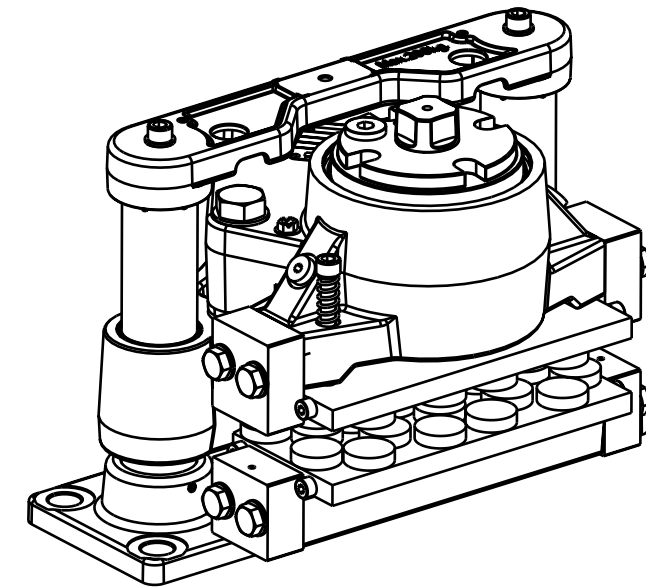
Bolts for brakes smaller than BSF1 350:
 M20 Grade 8.8
 Mv=305±20 Nm
 with MoS2
 Bolts for brakes BSF1 350 and larger:
 M20 Grade 10.9
 Mv=430±20 Nm
 with MoS2



Bolts M20 Grade 8.8 (4x)
 Mv=305 ± 20Nm
 With MoS2
 (Not included in brake)

Drain port
 1/8" BSP

Pressure port
 1/4" BSP



C = Brake disc thickness
 Mounting drawing, see drawing: 490 2334
 Weight: Approx. 81 kg incl. brake pads

Tolerances for corner radii, angles, chamfers and threads according to: DS/EN 22768 - m		✓ Indicates Ra in µm	All dimensions in mm	Accep. for prod. by
Description		BSF1 300-MSxxS-200		Drw+Design checked by
Drawn by RRH		Revision C		4
Date: 09-Sep-00		Scale 1:4 (A3)		
		Drawing No. 490-2052		Sheet 1 of 1 sheets

Svendborg Brakes A/S reserves the right to revise this document without prior notification or obligation

CONFIDENTIAL

CHECKED by SYSTEM 12-04-2010 RELEASED by rch