

# Form-Flex® Single Flex Coupling Type HH & FH All Sizes Installation Instructions

P-5004-TBW  
FORM 1174

**⚠ WARNING: Cancer and Reproductive Harm - [www.P65Warnings.ca.gov](http://www.P65Warnings.ca.gov)**

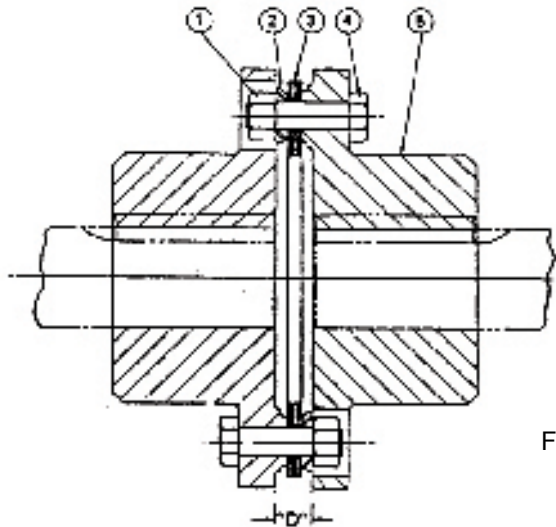


Fig. 1

**(HH)**

**PARTS LIST**

- 1. NUT (8)
- 2. WASHER (8)
- 3. FLEX ELEMENT (1)
- 4. BOLT (8)
- 5. HUB (2)

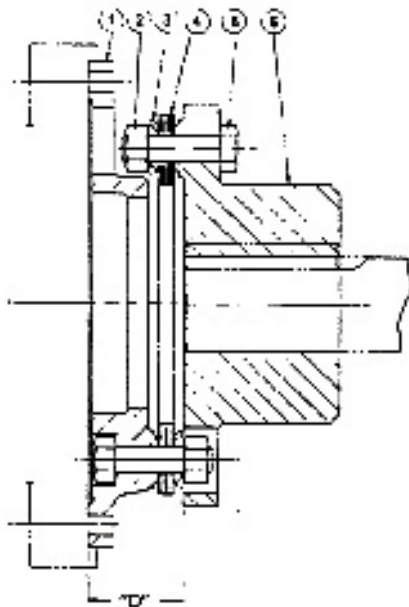


Fig. 2

**(FH)**

**PARTS LIST**

- 1. ADAPTER (1)
- 2. NUT (8)
- 3. WASHER (8)
- 4. FLEX ELEMENT (1)
- 5. BOLT (8)
- 6. HUB (1)

Proper care in installing and aligning will permit couplings to operate to full capacity, compensate for misalignment, and provide very good service life.

1. Inspect shafts and hubs bores and make sure they are free from burrs. Check for the proper fit of the keys to the shafts and hubs.
2. Fit the couplings hub(s) so that the shaft end(s) is/are flush with the machined face of the flange. If the hub is bored for interference fit, the hubs should be heated then quickly positioned on the shaft. *Do Not* spot heat or heat above 300°F as it may cause distortion.
3. Move the equipment to be connected into position. Set the gap to the required "D" dimension. See Fig. 1 or 2.

## ASSEMBLY

4. Assemble the coupling using figures 1 or 2 as a guide. Do not drive or force bolts into position. All nuts *must* be tightened to the value shown in Table I with lightly oiled threads.

**TABLE I** (Lightly oiled threads)

SIZE	31	35	42	45	50	55	60	70	75	80	85	92
FT-LB± 10%	40	70	125	150	210	320	450	575	830	1000	1400	1400

## ALIGNMENT

5. After preliminary alignment and complete assembly, secure a dial indicator to one hub as shown in figure (3) and indicate face of the other hub or adapter as shown. Indicator mounting is optional.

6. Rotate the coupling to find minimum indicator reading. Set the indicator for zero reading.

7. Again, rotate the coupling 360° to check misalignment.

8. Adjust position of connected equipment until indicator reading is within the allowable variation shown in Table II.

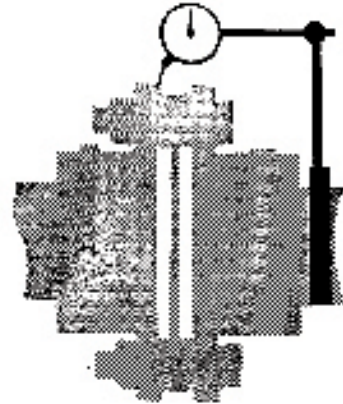


Fig. 3

**TABLE II** Total indicator reading inches.

SIZE	31	35	42	45	50	55	60	70	75	80	85	92
TIR	.004	.004	.005	.006	.006	.007	.008	.009	.010	.011	.012	.013

**IMPORTANT:** To ensure unlimited life re-check alignment after a short period (one to two hours) of actual running. At this time also re-torque bolts and nuts to values to Table I. If equipment is portable this should be done each time the equipment is moved.

## REPLACEMENT PARTS

To order replacement parts it is necessary to furnish the complete part number(s) and the required part(s). Order must be placed with your distributor.

## WARNING



**ROTATING EQUIPMENT IS POTENTIALLY DANGEROUS AND MUST BE PROPERLY GUARDED. THE USER SHOULD COMPLY WITH APPLICABLE SAFETY CODES IN ACCORDANCE TO OSHA STANDARDS.**



[www.tbwoods.com](http://www.tbwoods.com)

440 North Fifth Avenue  
Chambersburg, PA 17201 - USA  
888-829-6637 • 717-264-7161