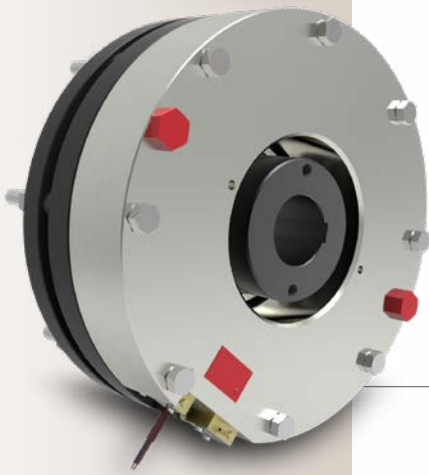


I N T R O D U C I N G

# ERD/ERDD GEN2 Brakes

Spring-Operated / Electromagnetic Release  
For Indoor / Outdoor Heavy Duty Applications

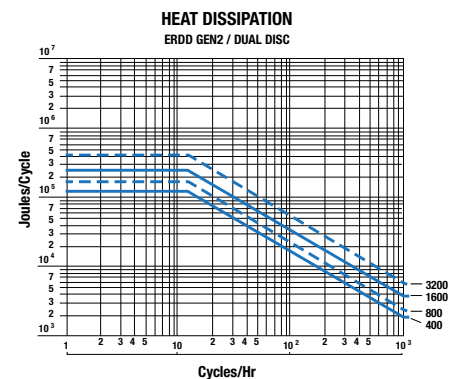
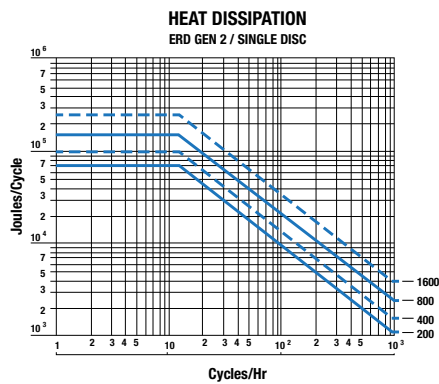


## Features:

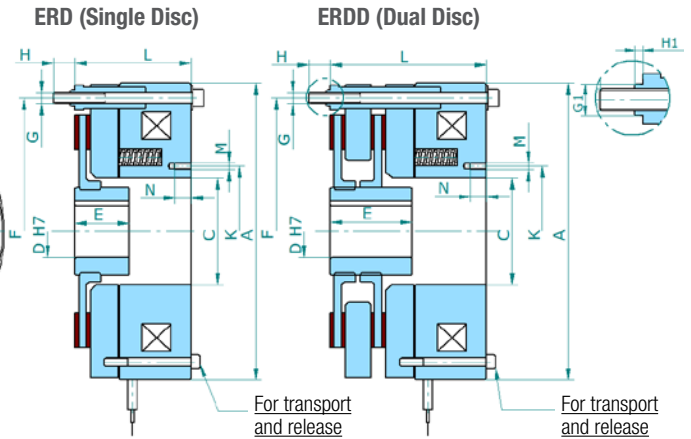
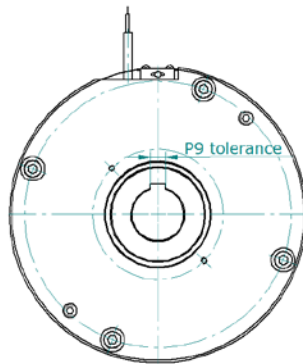
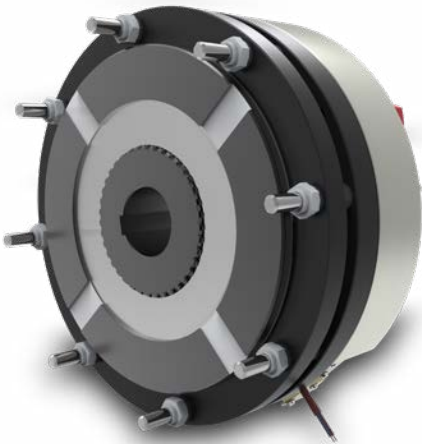
- High speed
- Low response time
- Activated by spring pressure
- Electrically released
- Single disc (**ERD**) or dual disc (**ERDD**)
- Horizontal or Vertical mount (**ERD**) preferred for Horizontal mount (**ERDD**)
- For dry use
- Duty cycle: 100% energized
- Wear compensation possible
- Ambient temperature: -40°C to +50°C

## Options:

- Release detection
- Wear detection
- Hand release
- Mounting flange
- Single or dual voltage coil
- Corrosion protection for outdoor/harbour applications
- DC power supply



# ERD (Single Disc) / ERDD (Dual Disc) GEN2 Spring-Operated / Electromagnetic Released Brake



	Single Disc				Dual Disc preferred for Horizontal Axis			
	200	400	800	1600	400	800	1600	3200
<b>Size</b>	200	400	800	1600	400	800	1600	3200
<b>Nominal Torque (Nm)</b>	200	400	800	1600	400	800	1600	3200
<b>Max Speed (rpm)</b>	4700	4700	4700	3800	4700	4700	4700	3800

### Single Voltage

<b>Voltage (VDC)</b>	103.5	103.5	103.5	103.5	103.5	103.5	103.5	103.5
<b>Power (Watt)</b>	76	155	207	327	76	155	207	327

### Dual Voltage

<b>Voltage (VDC)</b>	207/103.5	207/103.5	207/103.5	207/103.5	207/103.5	207/103.5	207/103.5	207/103.5
<b>Voltage (VDC)</b>	360/180	360/180	360/180	360/180	360/180	360/180	360/180	360/180
<b>Power (Watt)</b>	187/47	482/120	625/156	607/151	187/47	482/120	625/156	607/151

<b>A (mm)</b>	215	273	332	395	215	273	332	395
<b>C (mm)</b>	77	98	145	190	77	98	145	190
<b>D Pre-Bored (mm)</b>	20	29	34	50	20	29	34	50
<b>D max (mm)</b>	45	65	80	110	45	65	80	110
<b>E (mm)</b>	35	60	70	100	35	60	100	100
<b>F (mm)</b>	196	245	305	369	196	245	305	369
<b>G (mm)</b>	6 x M8	6 x M10	8 x M12	8 x M12	6 x M8	6 x M10	8 x M12	8 x M12
<b>G1 (mm)</b>	9.5	14.5	16	16	9.5	14.5	16	16
<b>H min</b>	18	22	26	25	21	25	31	28
<b>H1 min</b>	3	4	4	4	3	4	4	4
<b>K (mm)</b>	93	120	165	210	93	120	165	210
<b>L (mm)</b>	91	107	103	134	118	144	138	171
<b>M (mm)</b>	2 x M6	2 x M6	2 x M8	2 x M8	2 x M6	2 x M6	2 x M8	2 x M8
<b>N (mm)</b>	12	12	12	15	12	12	12	15
<b>Inertia (Kg•m2)</b>	0.003	0.009	0.024	0.086	0.005	0.015	0.043	0.126
<b>Weight (Kg)</b>	12	31	45	115	15.3	47	69	130

Standard Keyways according to DIN6885-1 / tolerance P9  
Service manual: SM446